

Emerald Integrations

OEM RADIO: Camera Interface for BMW EVO system with 6.5"/8.8"/10.25" screen



Model name	BMW-EVO
Released Date	2017-11-20
Manual Version	1.2.10
Language	English

1. Car Compatibility Chart

Car Models	Production Year
1 Series	2017-
2 Series	2017-
3 Series	2017-
4 Series	2017-
5 Series	2017-
6 Series	2017-
7 Series	2017-
X1	2017-
X3	2017-
X4	2017-
X5	2017-

Contents

1.Features.....	3
2.Specifications.....	4
3.Package Content.....	5
4.Wiring Diagram.....	6
5.DIP Switch Settings.....	7
6.Installation Instructions.....	9
7.Safety Warning & Camera Installation.....	15
8. Disclaimer.....	17

2. Features:

- A. Supports Intelligent Parking Assist System including PDC (Parking Distance Control) and DPG (Dynamic Parking Guidelines)**
- B. Supports software update via TF Card**
- C. Supports adjustable FPG position for 8.8" 10.25" screen**
- D. Supports power supply for rear view camera**
- E. Supports power supply for DVR device**
- F. Supports automatic trigger to front view camera, after R to D gear**

2. Specifications

A. Interface I/O Specs:

Input: CVBS *4 (Front/Rear View Camera, 360, Video), VGA *1 (Specific 360 Panoramic System)

Output: LVDS Output

B. Power Specs:

Input Power: 9V-16V

Consumption: 6W

C. Package Content:

Interface Unit * 1

Main Power Cable * 1

LVDS Cable * 1

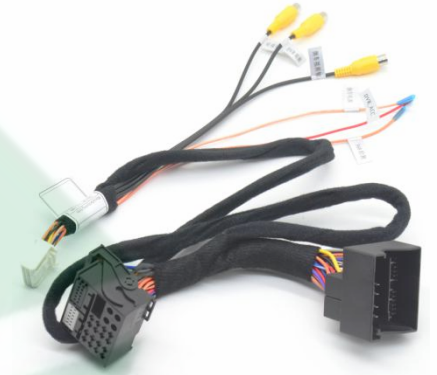
3. Package Content



Interface Module



LVDS Cables



Power Harness

Optional Part (Sold separately)

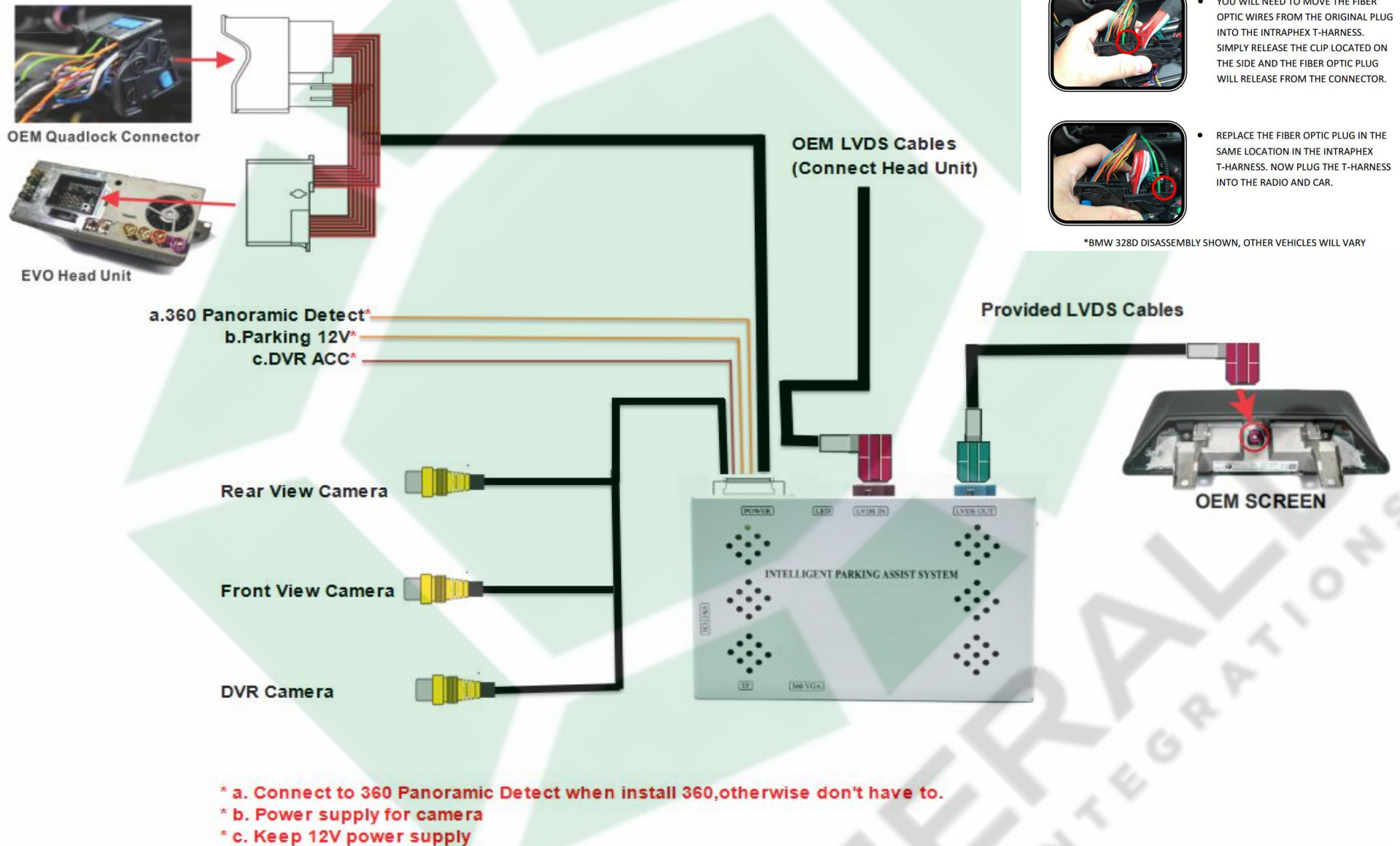


3.5mm AUX cable



AUX IN USB adapter

4. Wiring Diagram



5. DIP Switch Settings



ON (▼) OFF(▲)

Car Model	No.1	No.2	No.3
1-4 series/X3/X4, 8.8 inch with OEM rear camera	OFF(▲)	OFF(▲)	OFF(▲)
1-4 series/X3/X4, 8.8 inch without OEM rear camera	ON (▼)	OFF(▲)	OFF(▲)
5 series 8.8 inch EVO with rear camera	OFF(▲)	ON(▼)	OFF(▲)
5 series 8.8 inch EVO without rear camera	ON(▼)	ON(▼)	OFF(▲)
1-4 series/X1/MINI 6.5 inch EVO	OFF(▲)	OFF(▲)	ON(▼)
5 series/7 series/X5/X6 10.25 inch EVO	ON(▼)	ON(▼)	ON(▼)

PLEASE NOTE In order to reset the DIP settings you'll need to unplug the power harness, change the DIP switch settings, then plug the power harness back in.

PIN	ON (▼)	OFF(▲)
4	Turn off PDC	Turn on PDC
5	Turn off dynamic guideline	Turn on dynamic guideline
6	-	-
7	Turn on front view	Turn off front view



PLEASE NOTE DIP Switch 5 and DIP Switch 8 must be **ON (▼)** with OEM rear view camera.

6. Installation Instructions

5.1 Installation Process

* Please note that the vehicle should be OFF while installing the system to avoid any electrical damage.



A



B



C

1. Using a trim removing tool, prop off the AV panel using the location above.

*Please note that there may be screws on the side panel of the passenger seat and you must remove those, if applicable, first before you remove the trim.



A

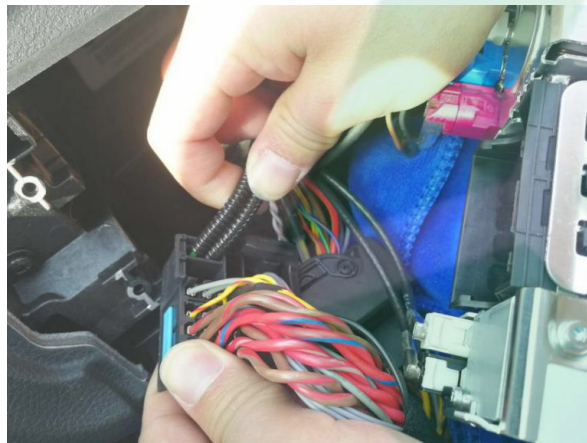


B

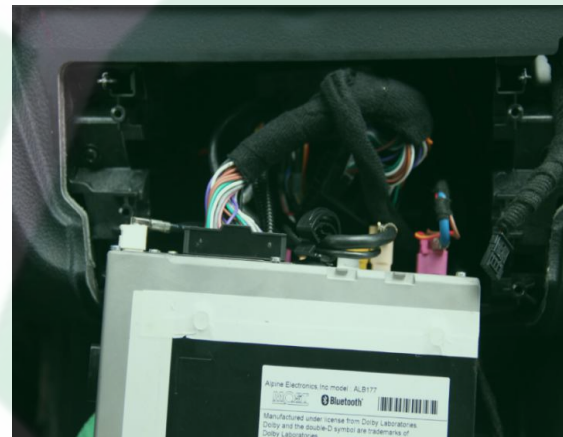
2. After removing the AC trim, remove the panel cables then prop off the plastic panel and remove the 6 screws indicated in section (B) to remove the CD panel.



A



C



B

*** Only applies to BMW vehicles with OEM fiber optics cable ***



- YOU WILL NEED TO MOVE THE FIBER OPTIC WIRES FROM THE ORIGINAL PLUG INTO THE INTRAPHEX T-HARNESS. SIMPLY RELEASE THE CLIP LOCATED ON THE SIDE AND THE FIBER OPTIC PLUG WILL RELEASE FROM THE CONNECTOR.



- REPLACE THE FIBER OPTIC PLUG IN THE SAME LOCATION IN THE INTRAPHEX T-HARNESS. NOW PLUG THE T-HARNESS INTO THE RADIO AND CAR.

*BMW 328D DISASSEMBLY SHOWN, OTHER VEHICLES WILL VARY

3. Remove the screws depicted in section (A) to remove the head unit. Remove the fiber optics cable (B) and reposition them into the provided power harness in the same location.



5



6

4. FYa cjY' H Y' @8G' WUVY' Zca ' H Y' C9A' gWYYb' UbX' WcbbYWhi]hi hc' @8G!B' cZ H Y']bhYfZUWY' a cXi `Y" I gY' H Y' dfcj]XYX' @8G' WUVY' hc' [c' Zca ' H Y' a cXi `Y' @8G!CI H' VUW_]bhc' H Y' gWYYb"

5.2 DVR Switching & Swicting DPG (Dynamic Parking Guidelines) Position

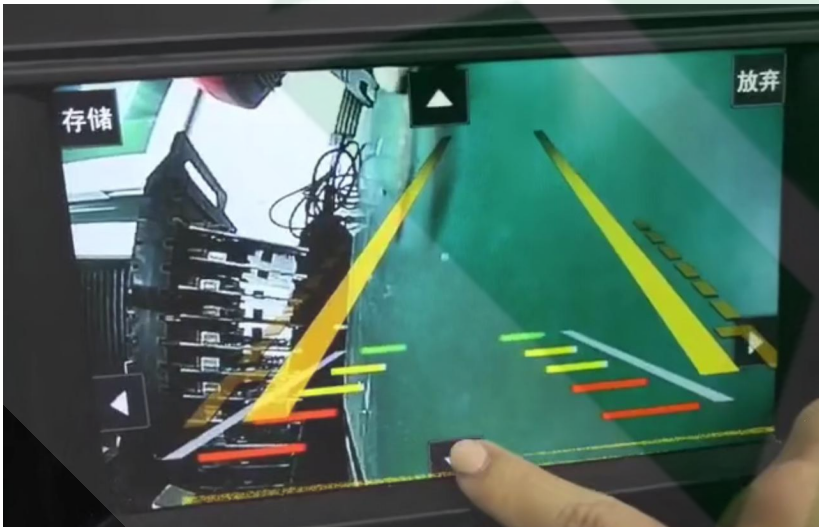
Long press the MENU button for 2 seconds to enter DVR if DVR is available.



5.3 Switch DPG (Dynamic Parking Guidelines) Position

Press on the screen for 20 seconds. The dynamic guidelines will display on all four corners. You can adjust them accordingly using the arrows as shown below.

(PLEASE NOTE: They can also be adjusted through the multimedia button if it's not a tough screen.)



7. Safety Warning

1. In order to protect driving safety and avoid breaking the traffic laws, please do not watch any external video source while driving. This can be very dangerous and can be illegal.
2. **DO NOT** install this system in a wet or damp environment to avoid electrical shock, damage to the system or possible fire caused by a short circuit.
3. This is a backup camera system designed to give you a view of your rear. This **DOES NOT ELIMINATE** accidents. In case of an accident, you'll need to contact your local body shop for repairs. Car Integrations is not responsible for accidents caused.
4. We recommend professional installation when installing vehicle integration systems. Please leave it to the pros to avoid damaging your vehicles interior or electrical system.
5. After installation, please re-test by turning the vehicle off, back on and into reverse, then back off. This will assure that the system is triggering as it should at all times.
6. Make sure to re-assemble the vehicle correctly and secure the module itself to avoid the components from getting knocked loose while driving. Make sure all the cables are tucked away and secure and the module is insulated to avoid any short circuits.
7. **DO NOT** unplug the LVDS cables while the vehicle is ON. This may short circuit the module of the command system. It's always best to test the system before re-assembling the components. During testing, you should have the vehicle OFF and not ON or in ACC mode to avoid any short circuits.

7. Camera Installation

**** BEFORE FULLY COMMITTING TO MOUNTING THE CAMERA, IT'S ALWAYS BEST TO TEST THE CAMERA ANGLE TO MAKE SURE IT'S CENTERED AND YOU HAVE THE DESIRED VIEWING ANGLE ****

1. Our cameras require 12 V of power using an ignition, accessory or our module as a power source. Do not use a reverse light as this will not be enough power to run the camera.
2. Flush mount cameras have an RCA extension cable with power leads on both ends. That's designed to run the camera power from the rear to the front where you can connect it to a power source. Connect the RED of the camera's power harness to the RED of the RCA extension cable and run the RCA extension cable through the trim to the front. From there, connect the RCA to the module and the RED lead to a power source.
3. Tailgate handle cameras **ONLY** require **ONE** of the RED leads to connect to a power source. There are RED leads on both ends of the RCA extension cable. You will only need to connect **ONE** of those leads to a power source and tape off the other lead to avoid any static interference.

Customer Service

At Emerald we want to make sure that you are completely satisfied, therefore we have assembled qualified associates to assist you. Our normal operating hours are Monday - Thursday 9:00 AM - 5:00 PM and Friday 9:00 AM - 4:00 PM (Pacific Standard Time).

Call us Toll Free: 844-333-3903

Email us: support@emeraldintegrations.com

Returns

30-Day Money-Back Guarantee

At Emerald Integrations, we want to make sure that you are completely satisfied. If for some reason you aren't happy with an item on your order and want to return it, we make returns and refunds extremely simple.

Any complete, like-new item returned within 30-days can be returned for a full refund less the original cost of shipping. All items or packages shipped free of charge will be subject to a \$15.00 shipping fee. If returned items are not in like-new condition, then Emerald Integrations may refuse a return or charge a restocking fee of 10% - 20%. Items not in like-new condition include, but are not limited to: items missing original item packaging, opened software or media items, used items, installed items, abused or physically damaged items, items missing parts, items damaged due to improper return shipping, items with a different serial number or defaced serial number, pre-cut wire, made-to-order items and special order items. All returns must be shipped back in a shipping carton, items cannot be shipped back in product boxes. Should you have any questions about our return procedure, please don't hesitate to contact us.

Return Disclaimer

Any unauthorized, improperly packaged, or non-insured packages will be returned to sender. Items that show signs of wear or have been, scratched, altered, or damaged in any way cannot be accepted for return

Warranty

Emerald Integrations understands that there are minor chances that electronics can fail and defects happen, in the event that this occurs, Emerald Integrations is here to help you quickly resolve your defect for a full year of 1-Year Warranty Coverage. Unlike others who push you to a manufacturer service center that can be slow and unresponsive, we're here to help with the repair or replacement you need. To begin the process, follow the instructions on the returns page at www.emeraldintegrations.com/returns.

The terms of the warranty are subject to the specific manufacturer and all expressed and implied warranties are provided solely by the manufacturer. Every item approved for a warranty claim is inspected by our team of qualified experts and professionally tested.

Emerald Integrations is a retail and wholesale distributor of vehicle electronic components, specializing in car safety. Emerald tests each product individually to ensure optimal performance and is NOT responsible for any negligence or damages caused by the installation process. Should a customer request assistance in finding an installer, Emerald holds no liability for any installers recommended by Emerald, it's employees or affiliates.